

DIMENSIONS CONDUITS RECTANGULAIRES (ACIER)

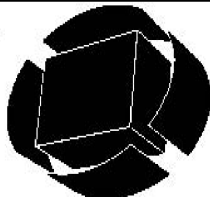
DIMENSIONS	GA	JOINT		LONGUEUR MAXIMUM	CROIX		RENFORT (DESSIN)	SUSPENSION		
		A	B		OUI	NON		8'-0"	6'-0"	4'-0"
0" @ 12"	26	S	BS	95"		✓		✓		
13" @ 18"	24	S	BS	95"	✓			✓		
19" @ 30"	24	T1"	T1"	45 1/2"	✓			✓		
31" @ 54"	22	T1"	T1"	45 1/2"	✓				✓	
55" @ 84"	20	T1.5	T1.5	44 1/2"		✓	4.1-1			✓
85" @ 96"	18	T1.5	T1.5	44 1/2"		✓	4.1-2			✓
97" & +	18	T1.5	T1.5	44 1/2"		✓	4.1-3			✓

BASSE PRESSION

SUSPENSIONS CONDUITS RECTANGULAIRES (ACIER)

DIMENSIONS	1/2" 2"x1" 22ga. (ACIER GALV.)	1/2" 1"x1" 1/8" (ACIER GALV.)	1/2" 1-1/2"x1-1/2"x1/8" (ACIER GALV.)	UTILISER LE RENFORT	TIGE 1/4"φ FILETEE	TIGE 3/8"φ FILETEE	ANCRAGE 1/4"φ (BETON)	ANCRAGE 3/8"φ (BETON)	*CADDY" 1/4"φ (STRUCTURE)	*CADDY" 3/8"φ (STRUCTURE)	*BEAM-CLAMP" 3/8"φ (STRUCTURE)
0" @ 12"	✓				✓		✓		✓		
13" @ 18"	✓				✓		✓		✓		
19" @ 30"	✓				✓		✓		✓		
31" @ 42"	✓				✓		✓		✓		
43" @ 54"			✓			✓		✓		✓	
55" @ 84"				✓		✓		✓			✓
85" @ 96"				✓		✓		✓			✓
97" & +				✓		✓		✓			✓

FERBLANTERIE
JBM



TITRE:

CONSTRUCTION

SECTION:

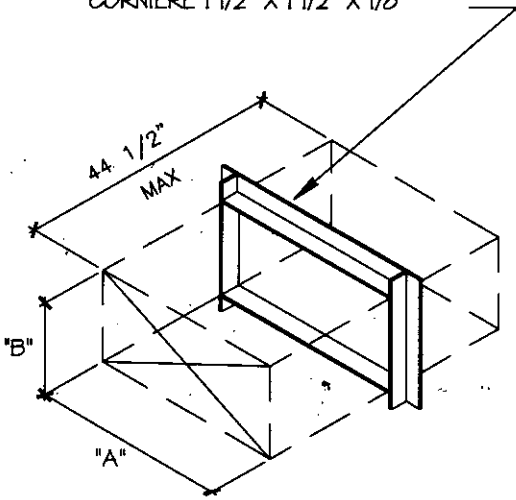
CONDUIT RECTANGULAIRE (ACIER)

NO:

1.0.2

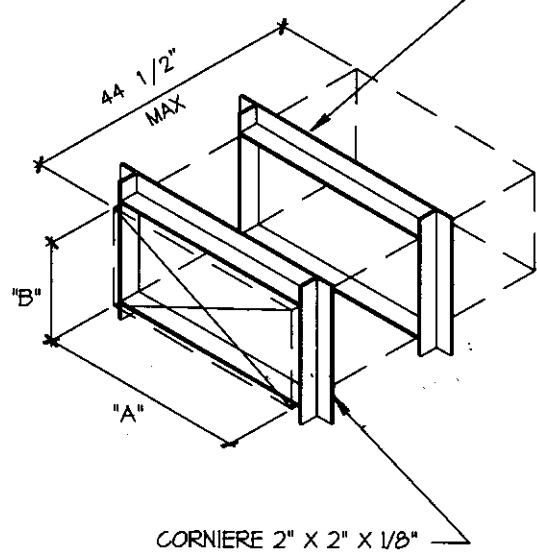
1

CORNIERE 1 1/2" X 1 1/2" X 1/8"



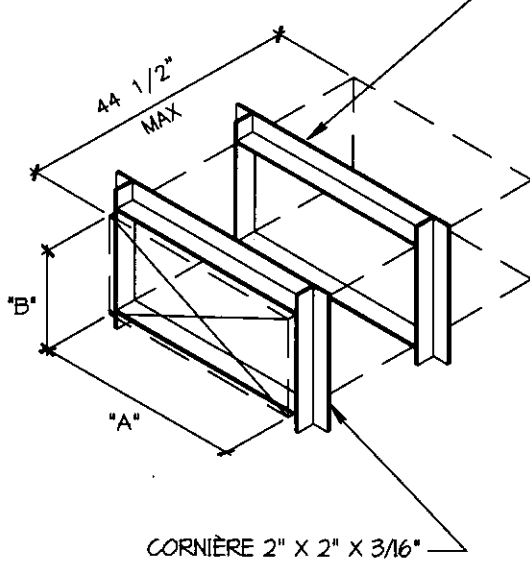
2

CORNIERE 2" X 2" X 1/8"



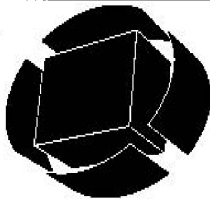
3

CORNIERE 2" X 2" X 3/16"



4

FERBLANTERIE
JBM



TITRE:

CONDUIT RECTANGULAIRE

SECTION:

REINFORCEMENT

NO:

4.1